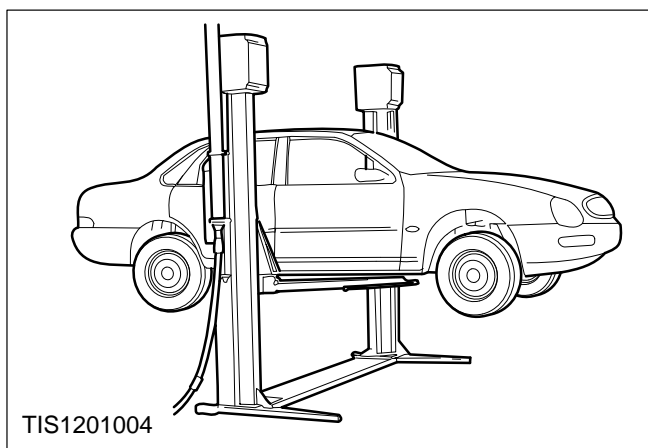


Disc – Rear Brake – Remove and Install (One side) (12 225 0)

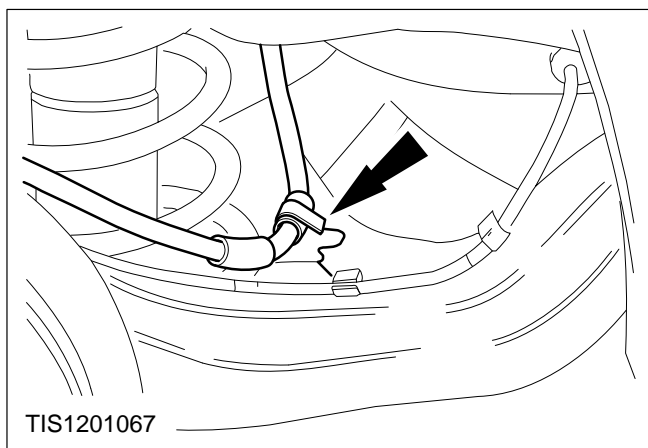


Remove

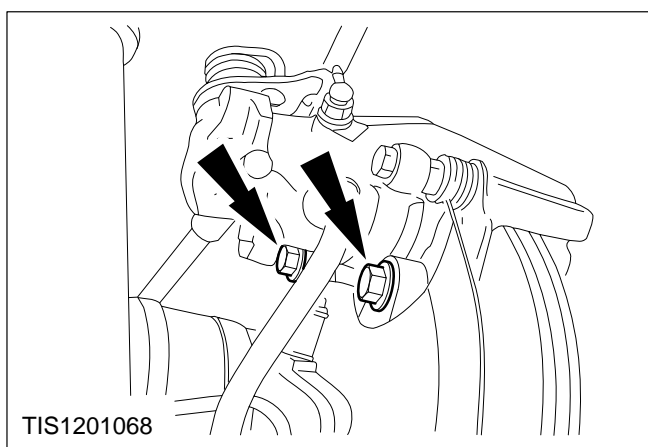
⚠ WARNING: As rear brake system is subjected to high hydraulic pressure the foot brake must not be applied when the caliper is removed.

1. Slacken the wheel nuts, raise the vehicle and remove the rear road wheel.

2. Release the handbrake lever.



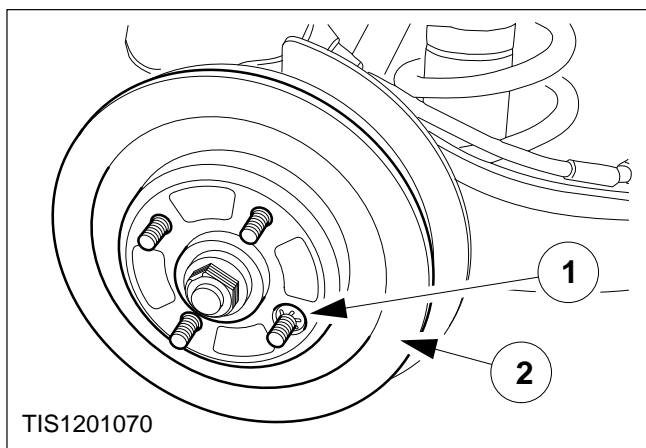
3. Detach the handbrake cable from the lower arm.



4. Remove the brake caliper assembly.

Suspend the caliper to prevent damage to the flexible brake hose.

5. Mark the relative position of the hub and disc.

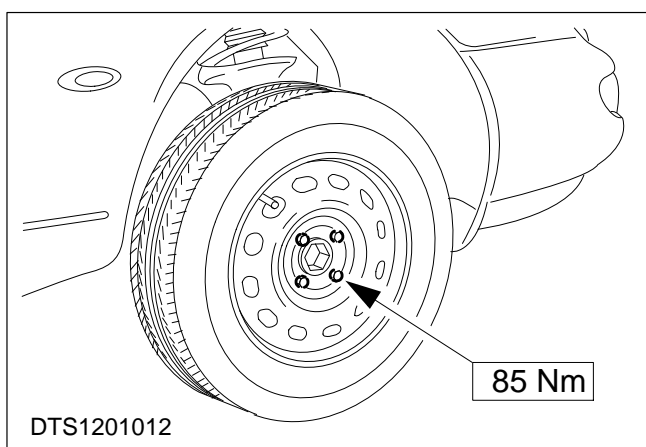
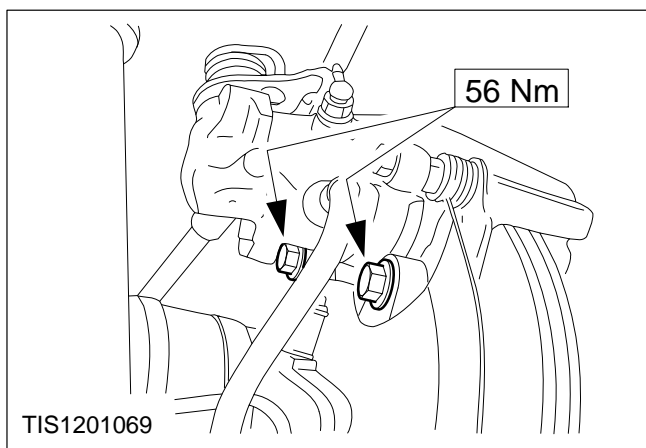
**6. Remove the brake disc.**

- 1 Remove the spring washer.
- 2 Remove the brake disc.

Install

NOTE: If the original disc is to be refitted ensure that the match marks are aligned.

7. Refit the brake disc and secure with a new spring washer.
8. Refit the brake caliper assembly.
9. Refit the handbrake cable to the lower arm.
10. Apply the handbrake lever.



11. Refit the road wheel and lower the vehicle.