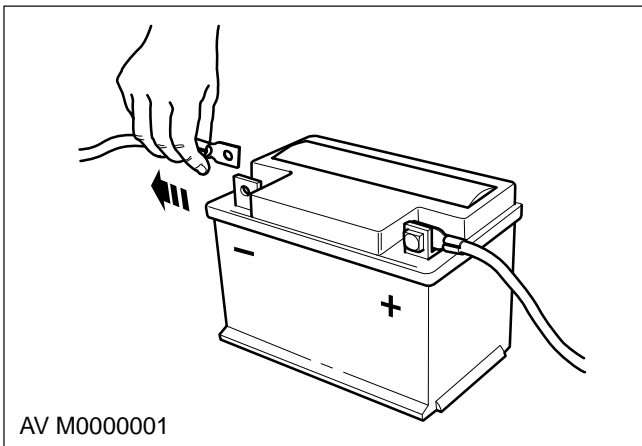
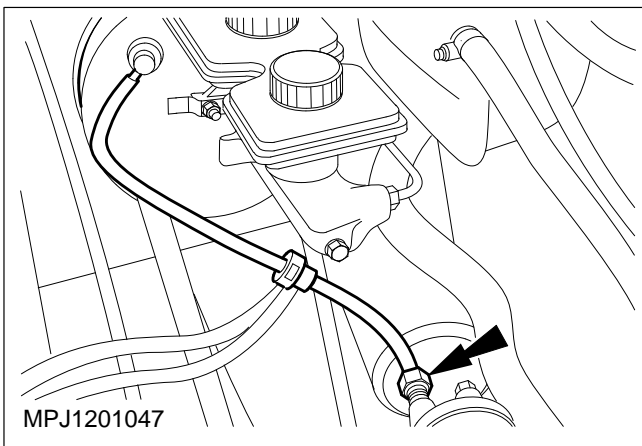


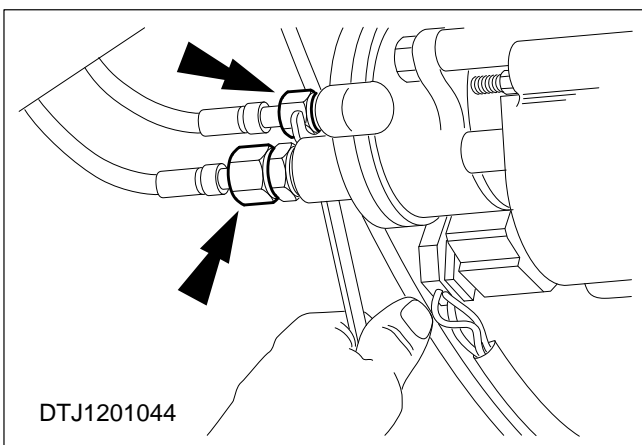
Vacuum Pump – Remove and Install (12 414 0)**Remove**

⚠ CAUTION: If brake fluid is spilled on the paintwork, the affected area must be immediately washed down with cold water.

1. Disconnect the battery earth lead.



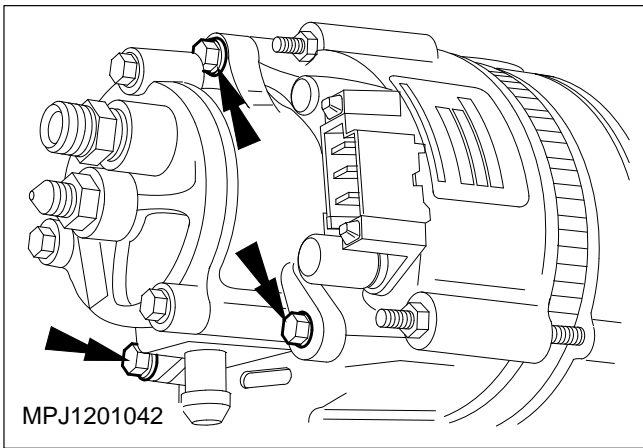
2. Disconnect the vacuum hose from the vacuum pump.



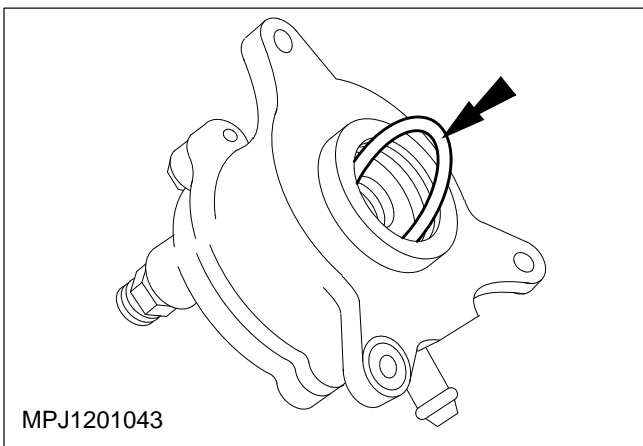
NOTE: Blank off the pipes to prevent any dirt ingress.

3. Disconnect the oil feed and return pipes from the vacuum pump.

Allow the fluid to drain into a suitable container.

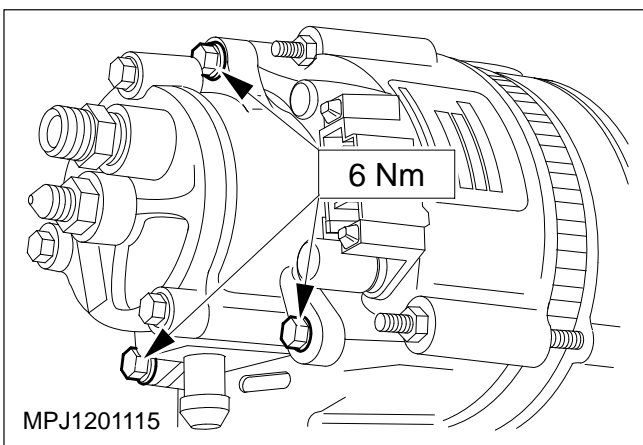


4. Remove the vacuum pump.



5. Remove the pump to alternator 'O' ring.

Install



6. Refit the pump to alternator 'O' ring.

7. Refit the vacuum pump.

8. Reconnect the oil feed and return pipes to the vacuum pump.

9. Reconnect the vacuum hose to the vacuum pump.

10. Reconnect the battery earth lead.