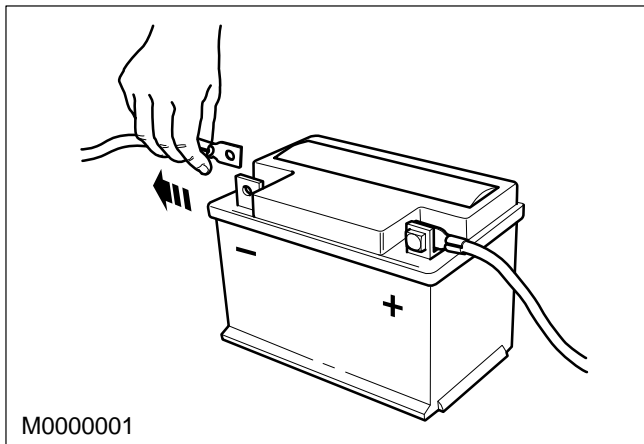
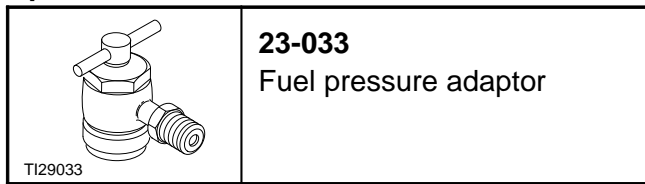


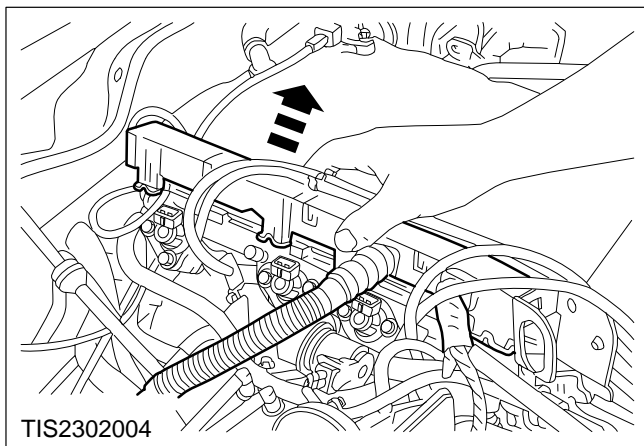
Regulator – Fuel Pressure – Remove and Install (23 266 0)

Special Tools

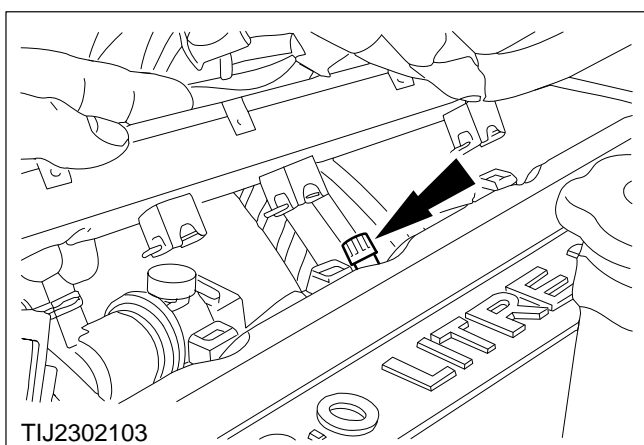


Remove

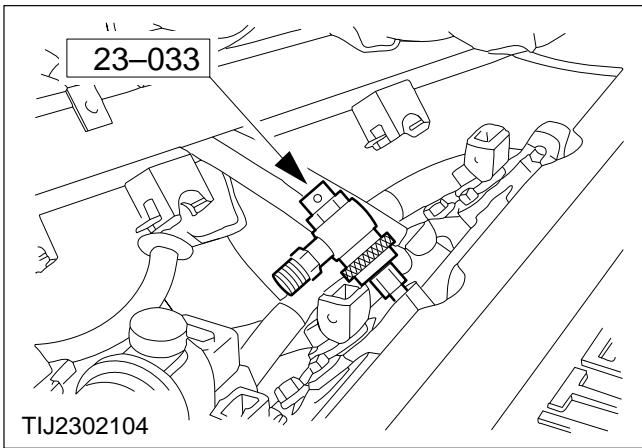
1. Disconnect the battery earth lead.



2. Disconnect the fuel injector multiplugs.

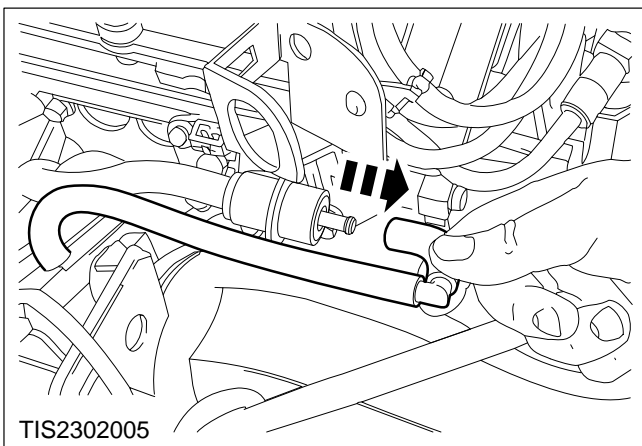


3. Remove the valve cap.

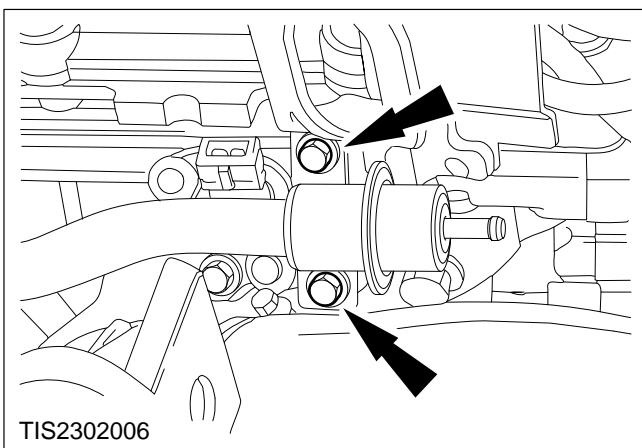


⚠ WARNING: Ensure that the tap on the tool is turned fully anti-clockwise before fitting and be prepared for some fuel spillage. Observe fuel handling precautions.

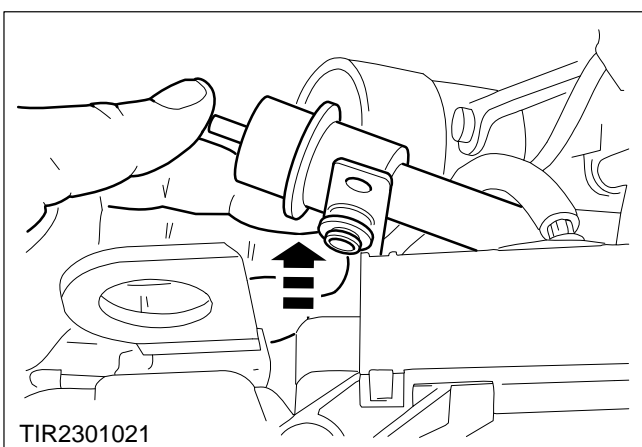
4. Fit the tool and release the fuel rail pressure.
5. Remove the tool and refit the valve cap.



6. Disconnect the vacuum hose.

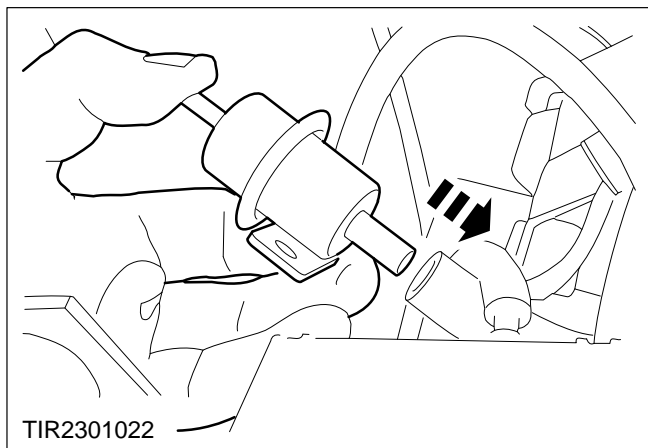


7. Unscrew the fuel pressure regulator retaining bolts.

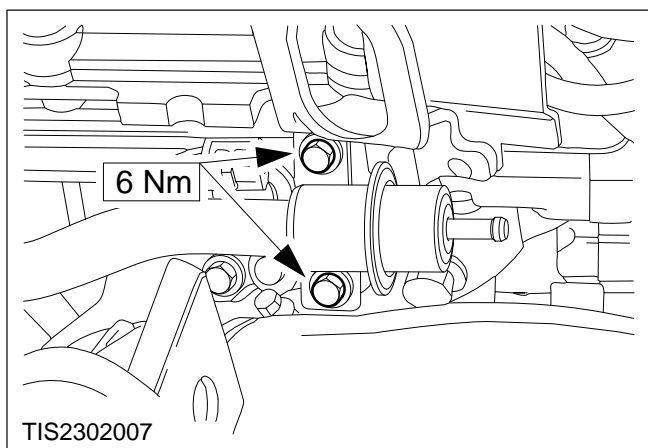


⚠ WARNING: Be prepared for some fuel spillage. Observe fuel handling precautions.

8. Disconnect the fuel pressure regulator from the fuel rail.



- 9. Disconnect the fuel hose and remove the fuel pressure regulator.**



Install

- 10. Refit the components in reverse order.**

Lightly lubricate the fuel pressure regulator 'O' ring seal with clean engine oil before refitting.