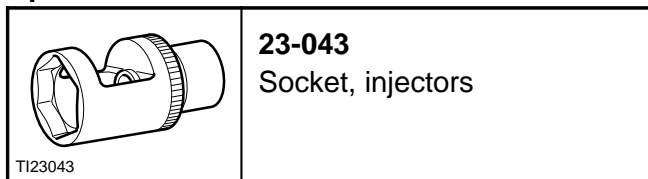


Fuel Injector – Renew (23 455 0)

Special Tools



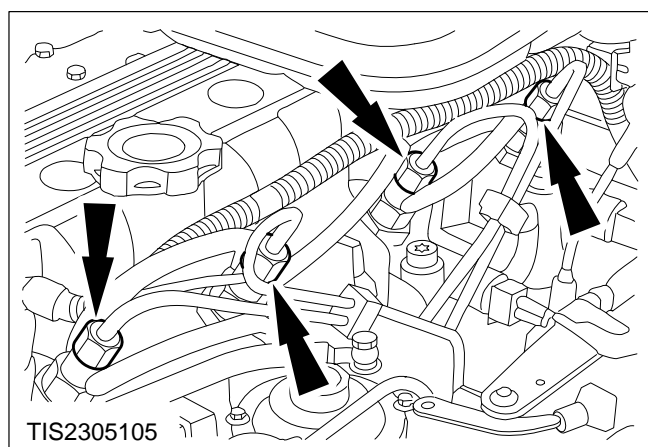
⚠ WARNING: This procedure involves fuel handling. Be prepared for fuel spillage at all times and always observe fuel handling precautions. Failure to follow these instructions can result in personal injury.

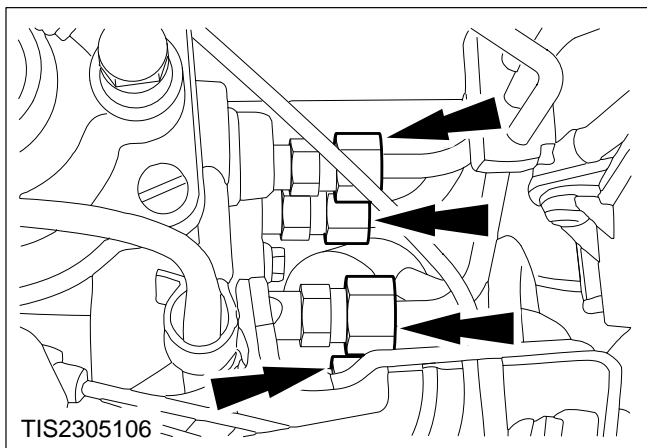
⚠ CAUTION: Diesel fuel injection equipment is manufactured to very precise tolerances and fine clearances. It is therefore very important that absolute cleanliness is observed when working with these components. Always fit blanking plugs to any open orifices or pipes.

Remove

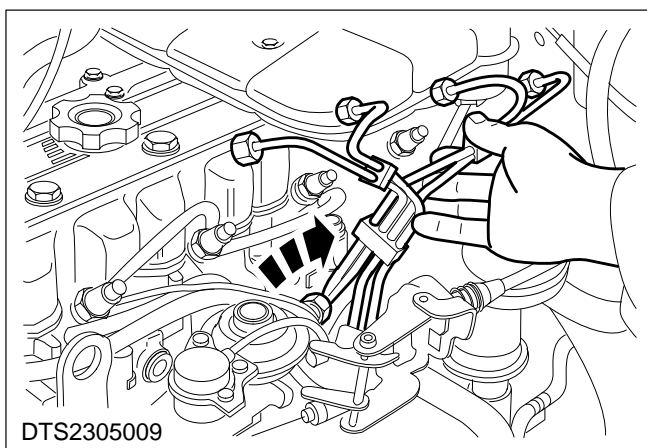
⚠ CAUTION: Disconnect the battery negative lead.

- 1. Disconnect the fuel injector delivery pipes from the fuel injectors (four unions).**

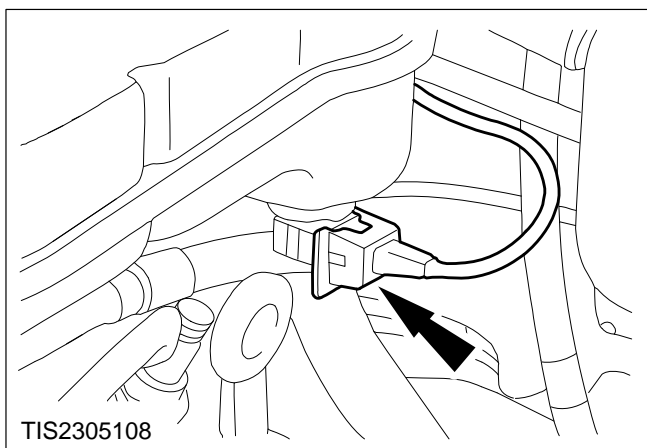




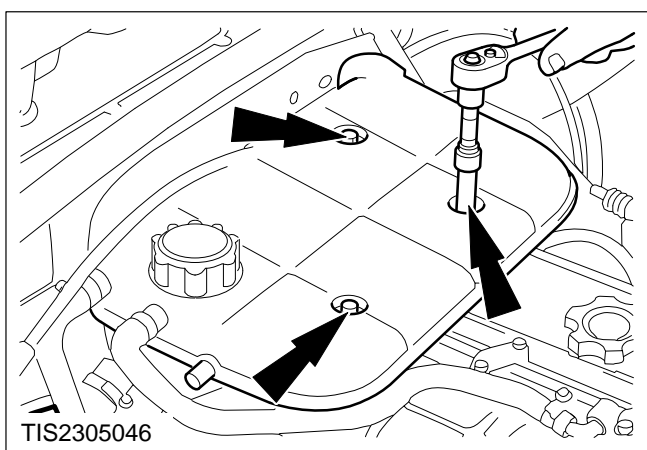
2. Disconnect the fuel injector delivery pipes from the fuel injection pump (four unions).



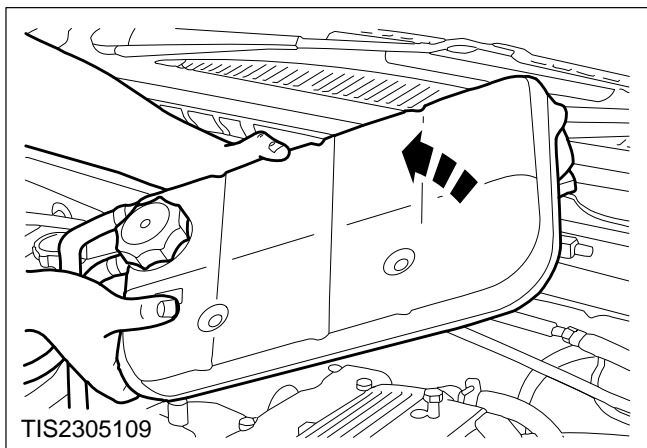
3. Remove the fuel injector delivery pipes.



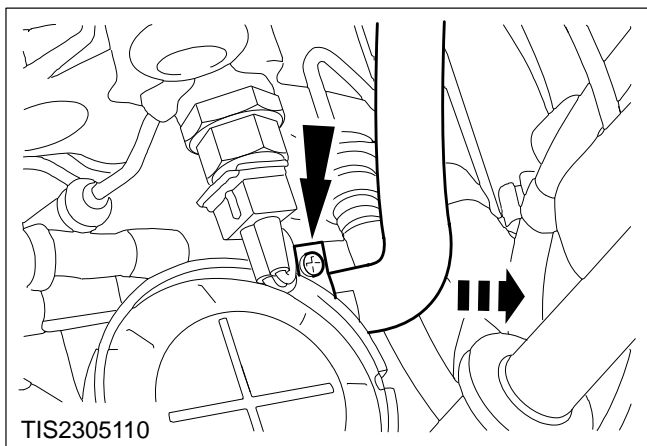
4. Disconnect the coolant low level warning switch multiplug.



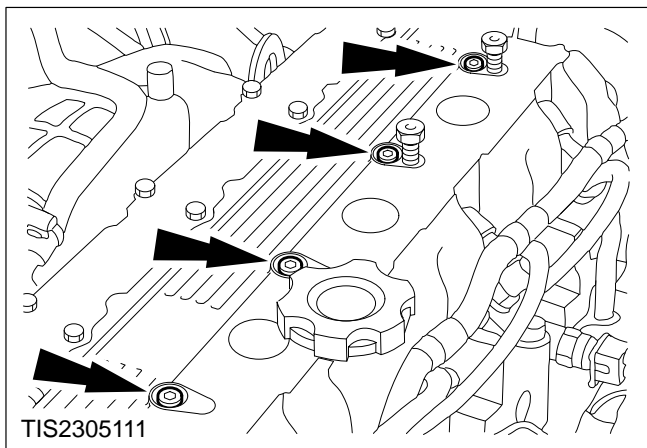
5. Remove the three expansion tank retaining screws.



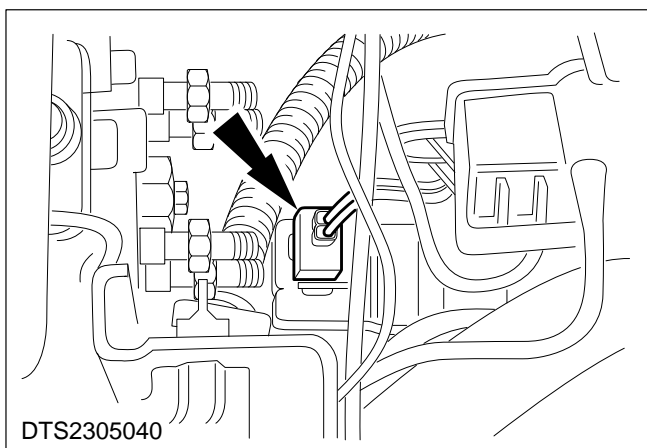
6. Position the expansion tank to one side.



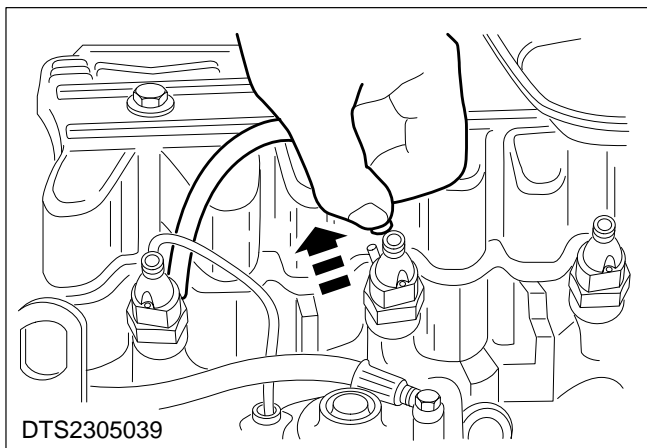
7. Disconnect the engine vent pipe (one clip).



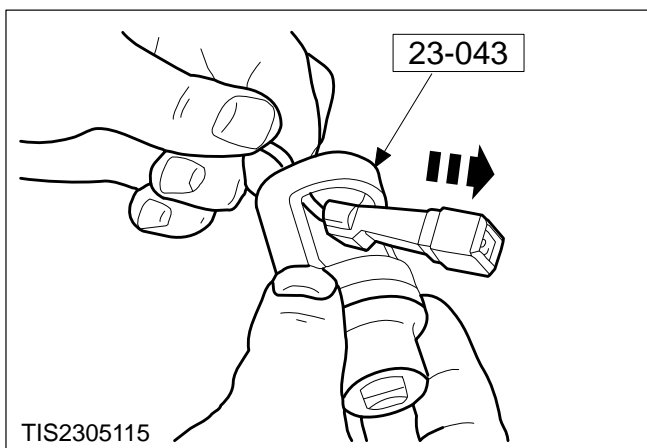
8. Remove the cam cover (four bolts).



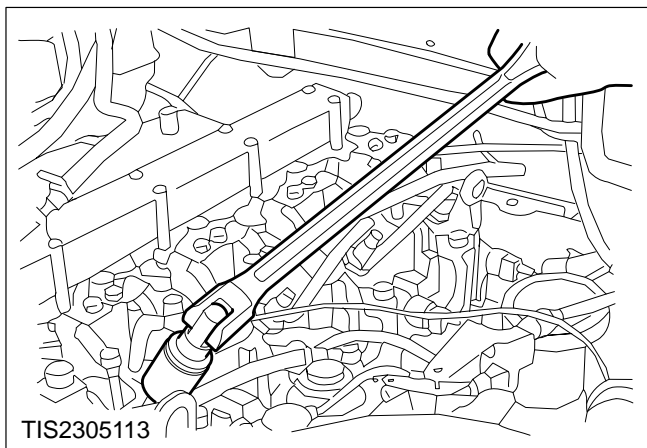
9. Disconnect the instrumented injector multiplug.



10. Disconnect the fuel injector return pipes.

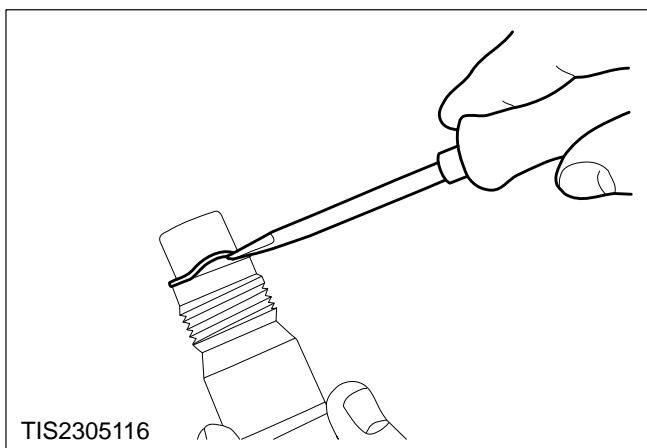


11. Pass the instrumented injector multiplug and wiring through the special socket.



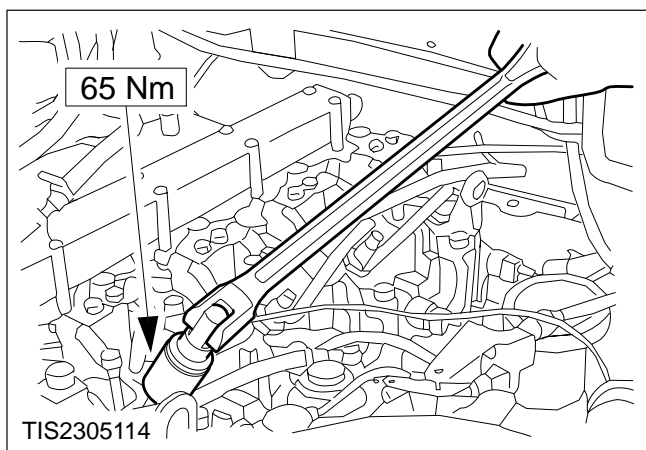
NOTE: It is normal for the injectors to be very stiff in the threads and considerable effort may be required to unscrew them.

12. Remove the fuel injectors.



13. Carefully remove the fuel injector sealing washers using a small screwdriver.

14. Clean any deposits from the injector nozzle.



Install

NOTE: It is not possible to service the instrumented injector. If the spray pattern or opening pressure is incorrect the injector must be renewed.

15. Refit the components in the reverse order.

- Renew the injector sealing washers.
- Renew the cam cover gasket.